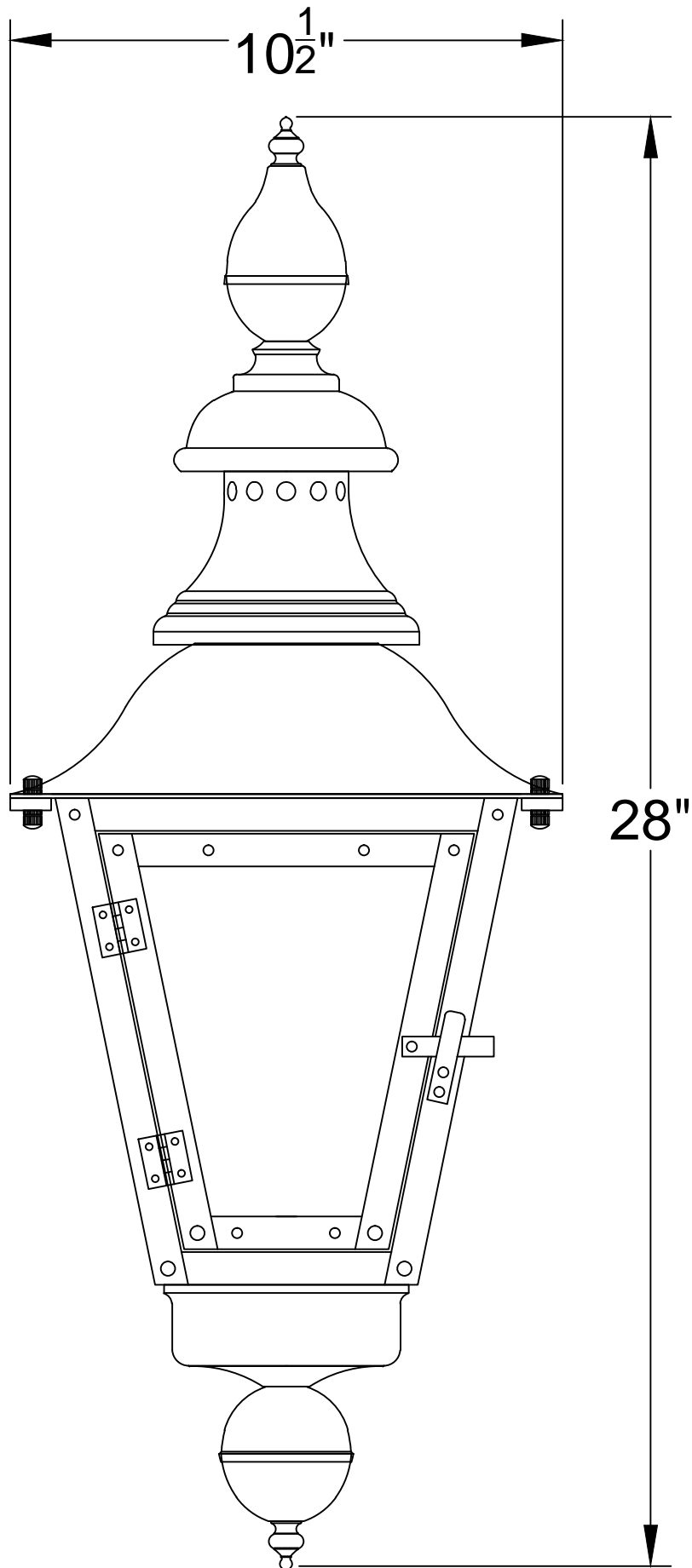
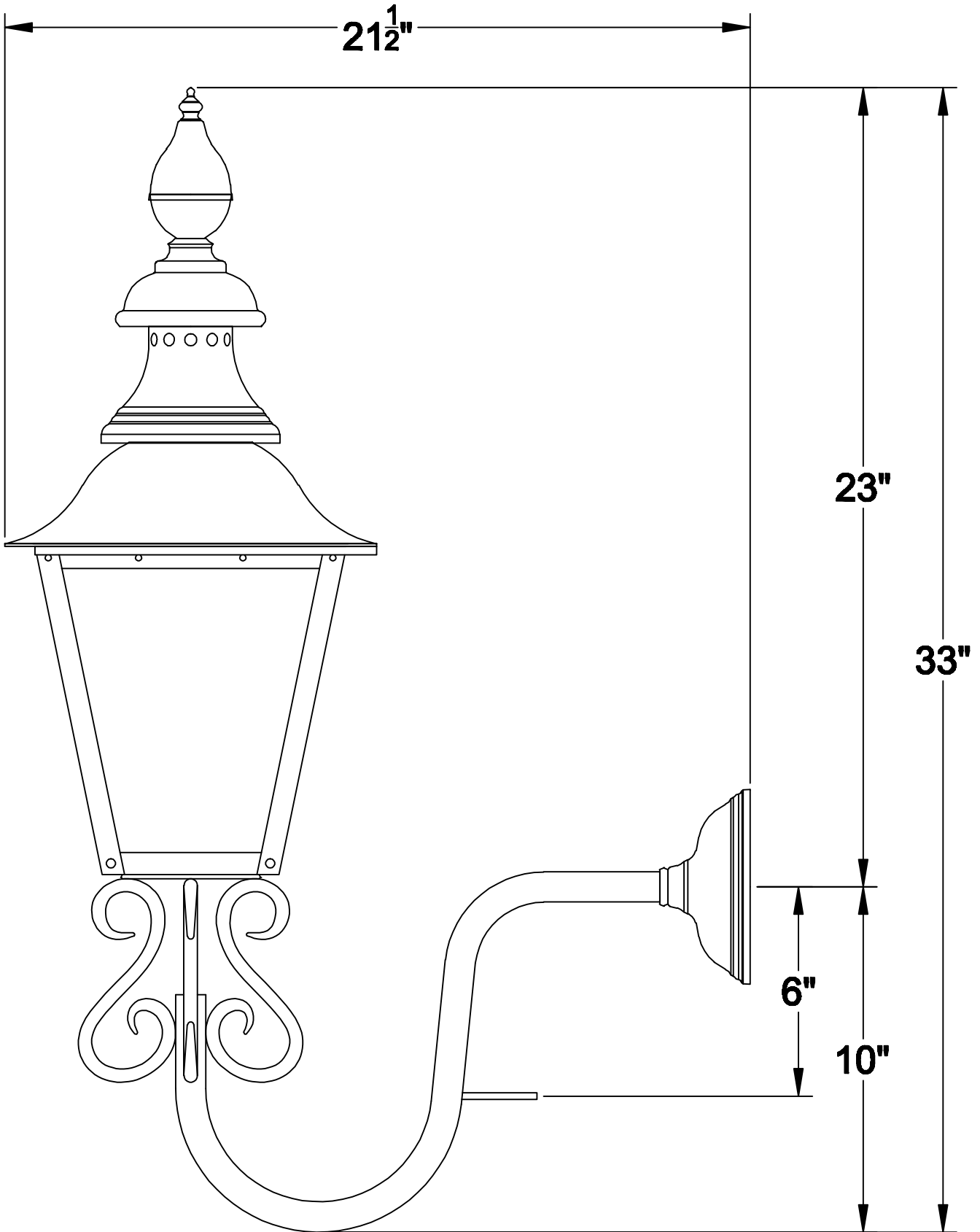


# OA-28



## Front

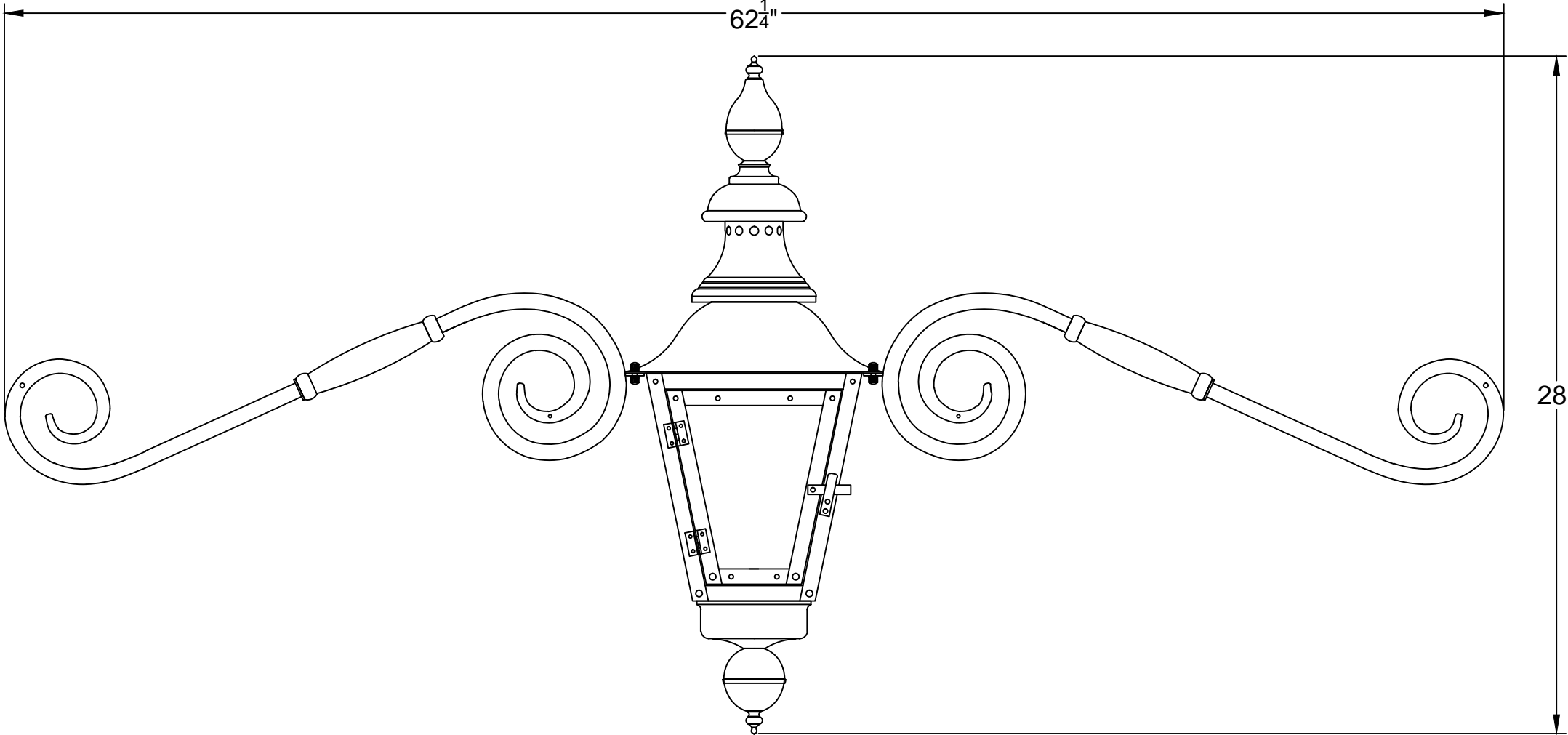
**OA-28**



**GN**

OA-28

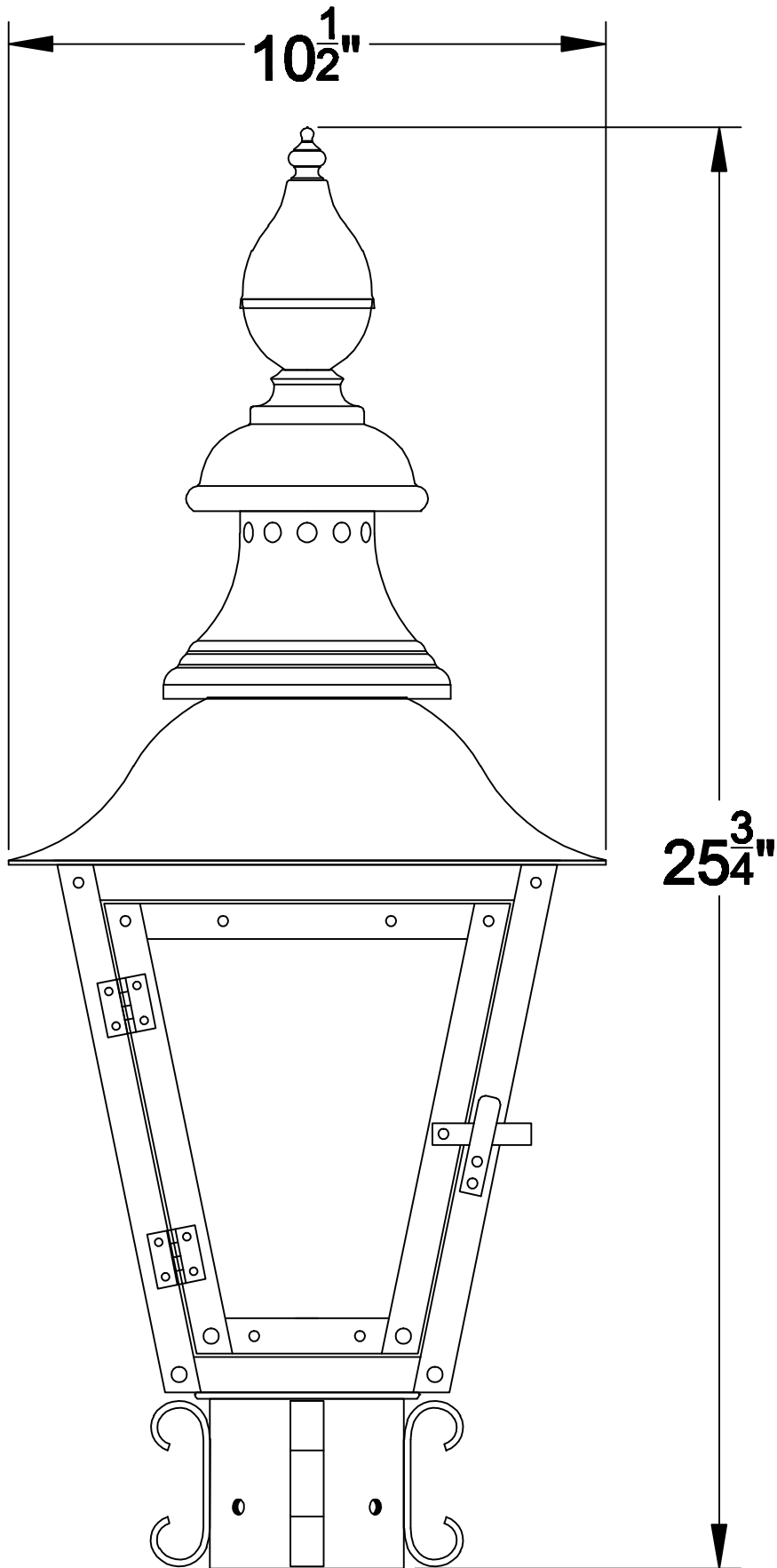
62<sup>1</sup>/<sub>4</sub>"



28"

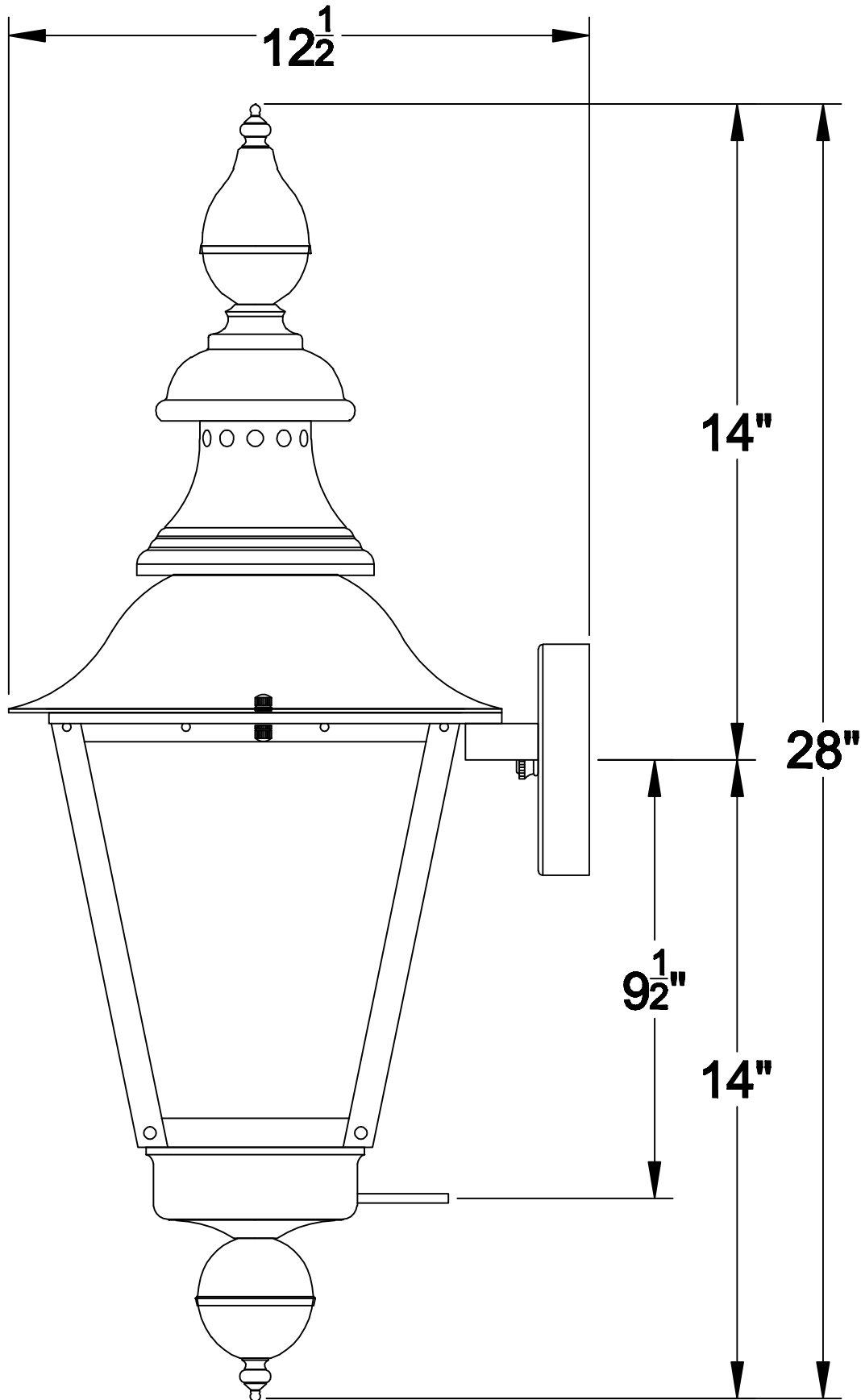
MU

**OA-28**



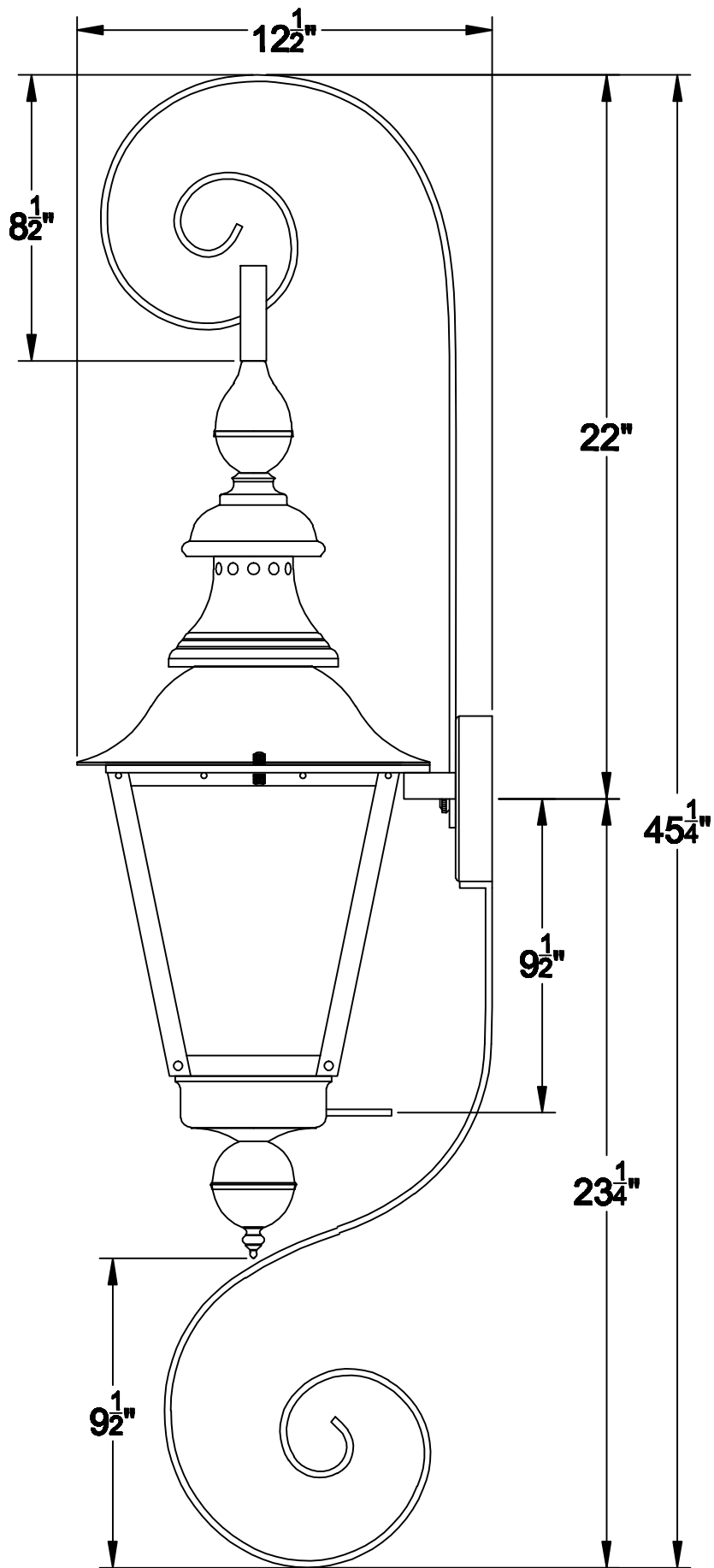
**PM**

# OA-28



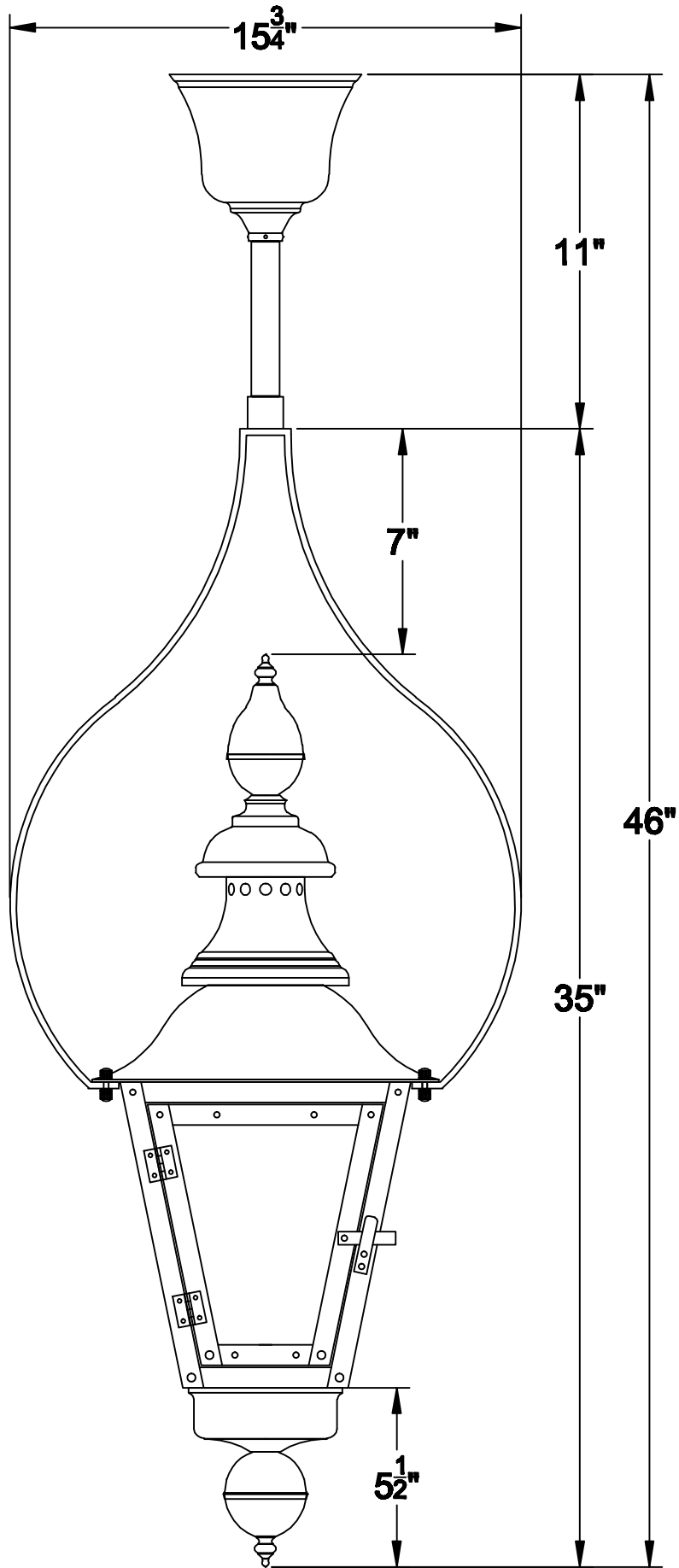
Side

**OA-28**



**TS-2 BS-1**

**OA-28**



**TY-1**