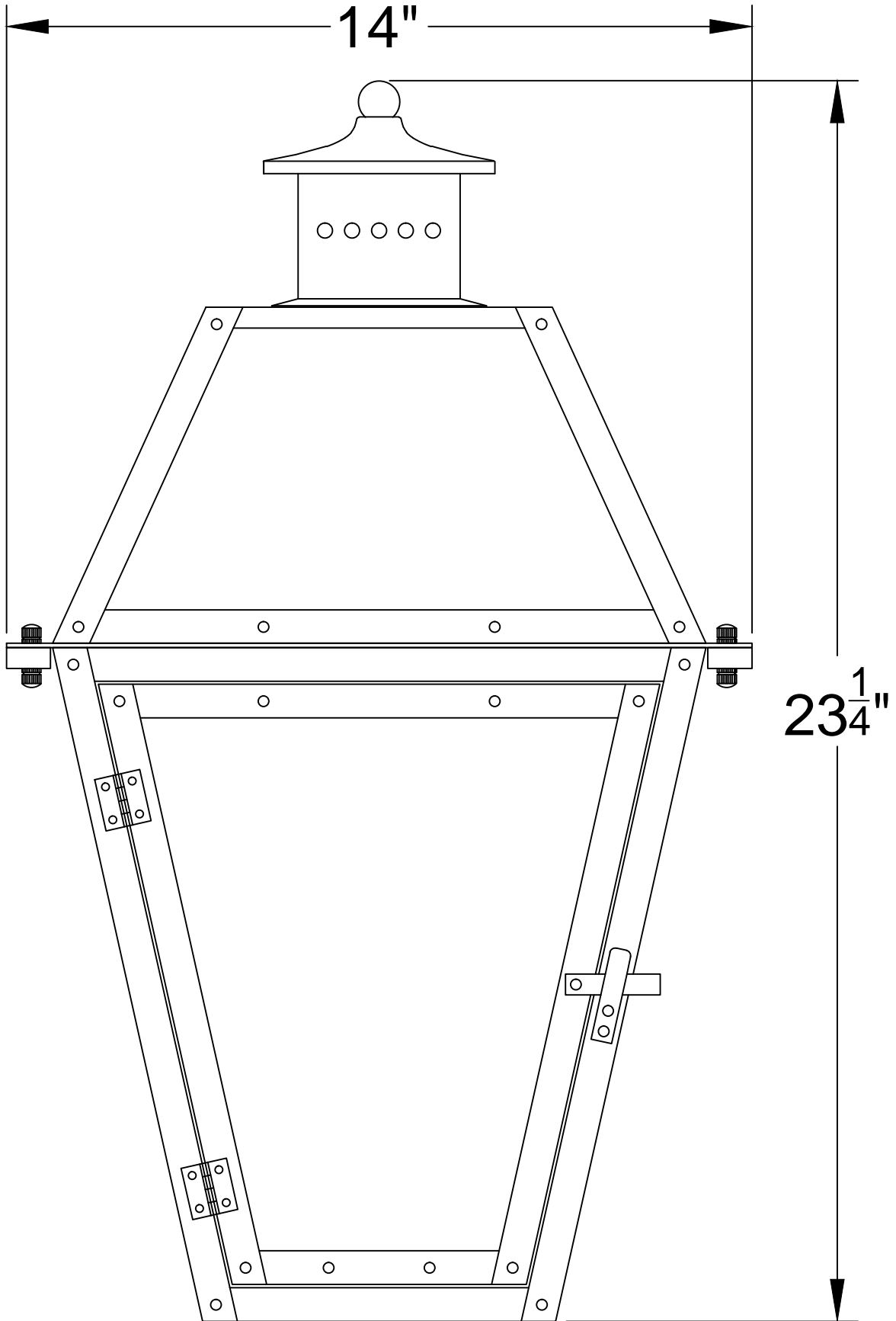
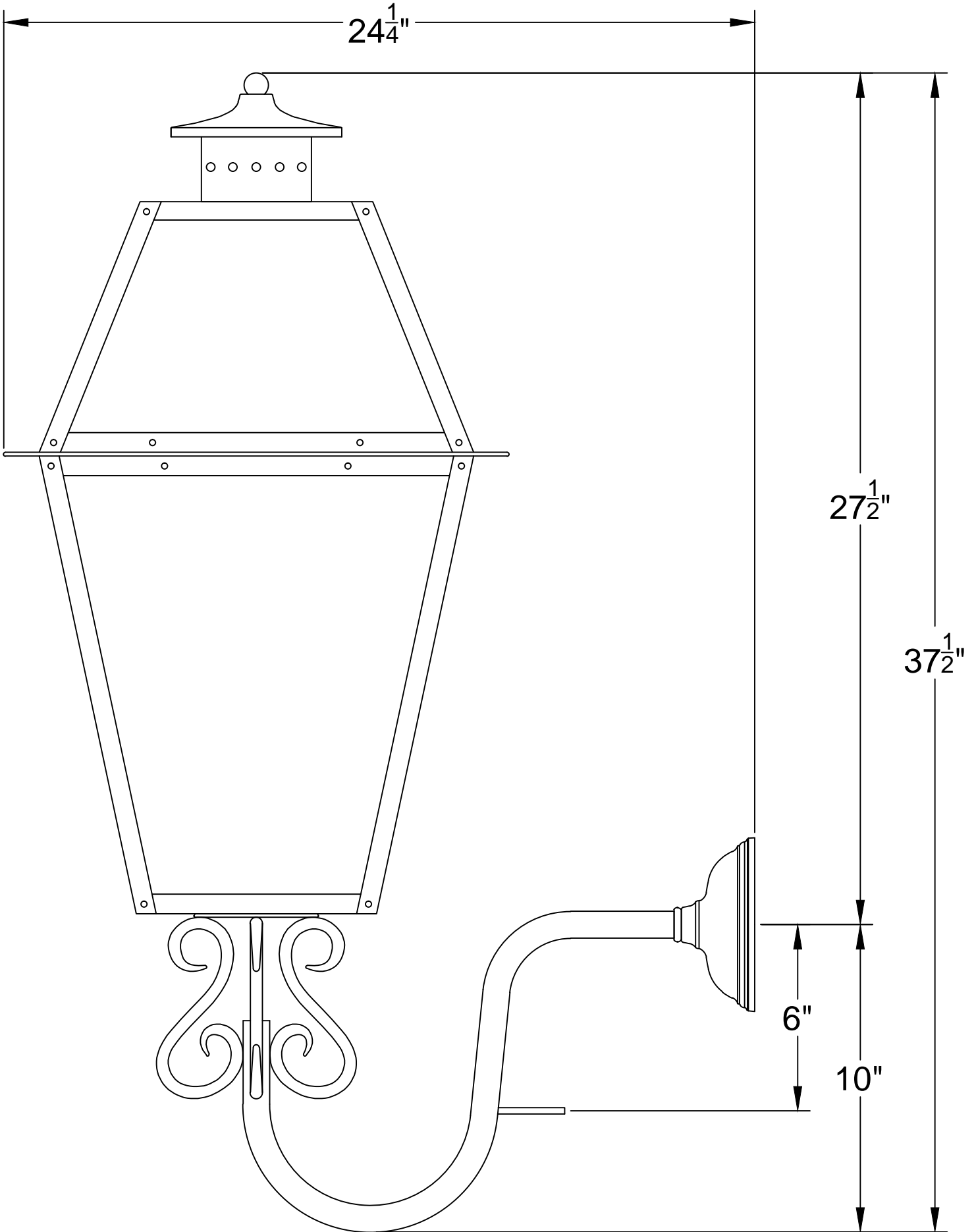


OL-22



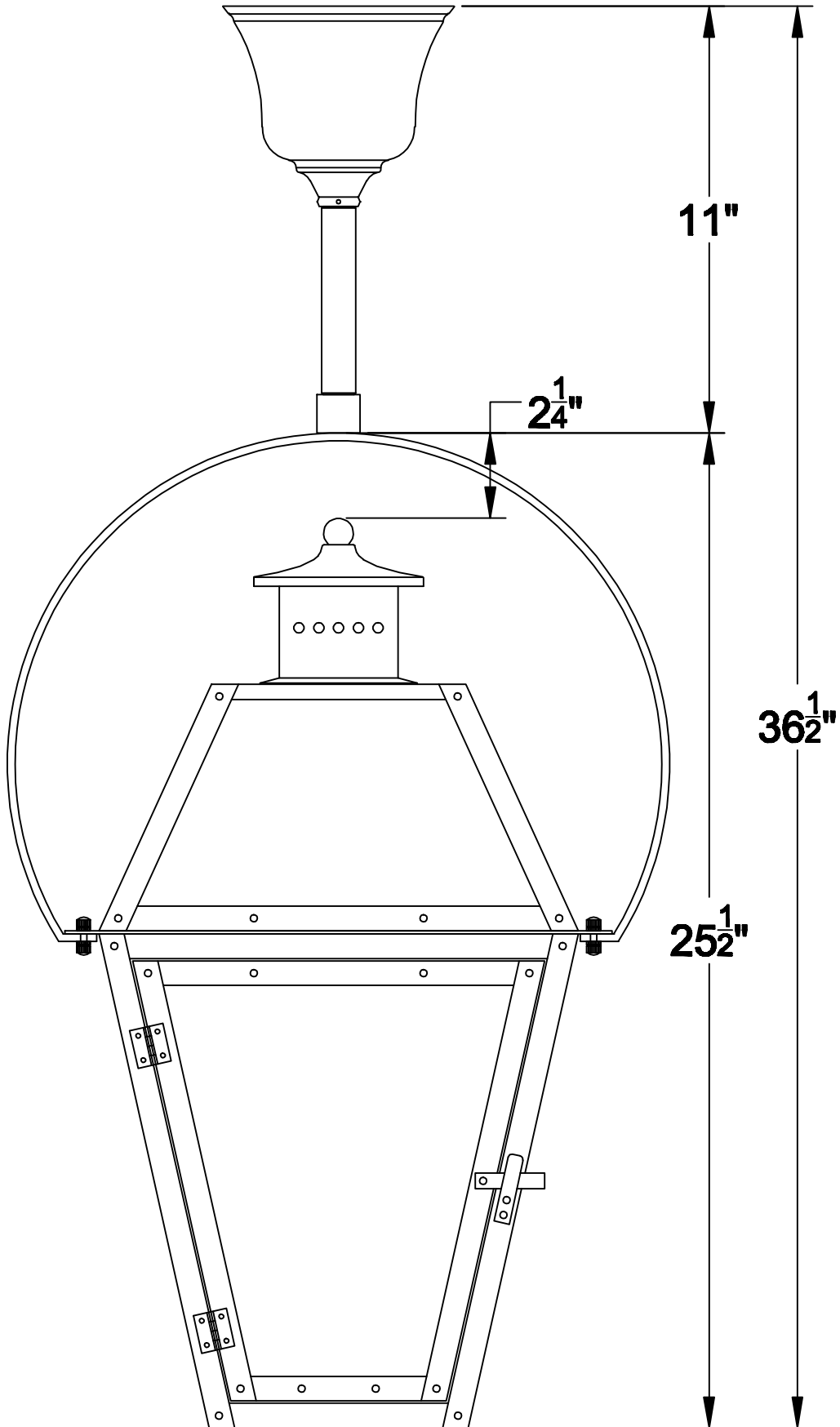
Front

OL-27



GN

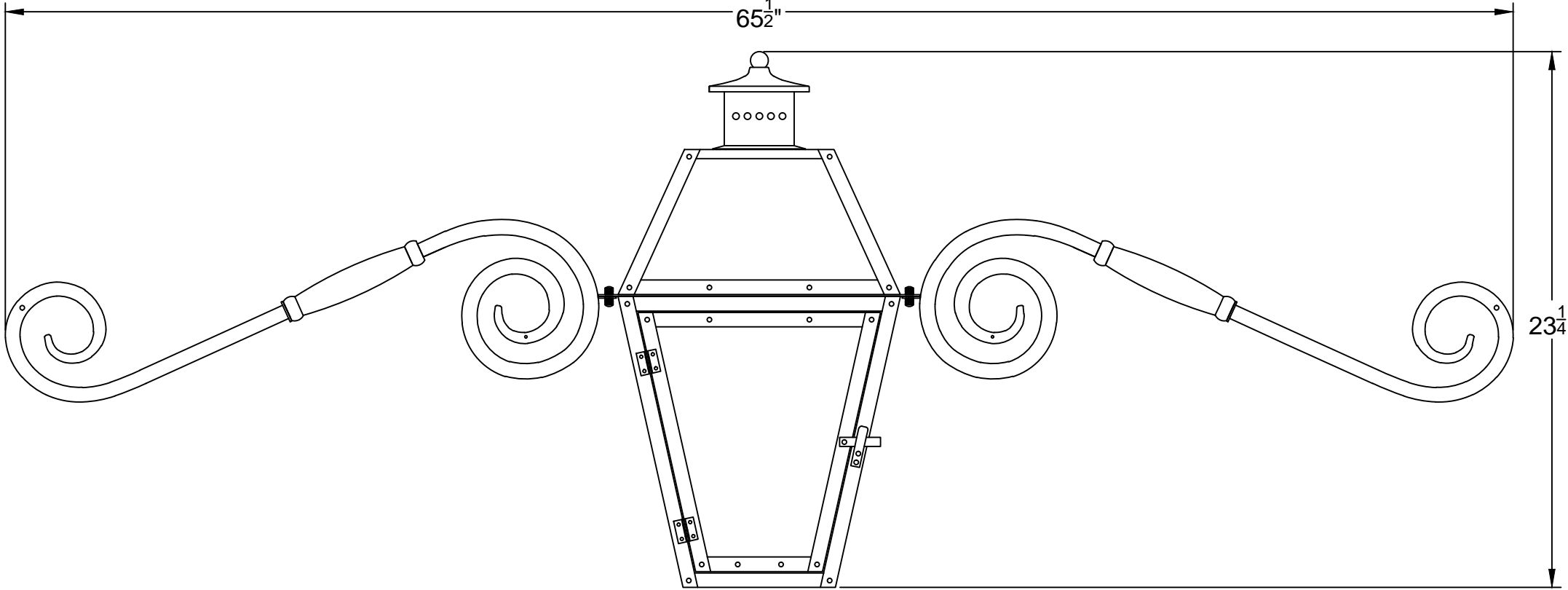
OL-22



HY-2

OL-22

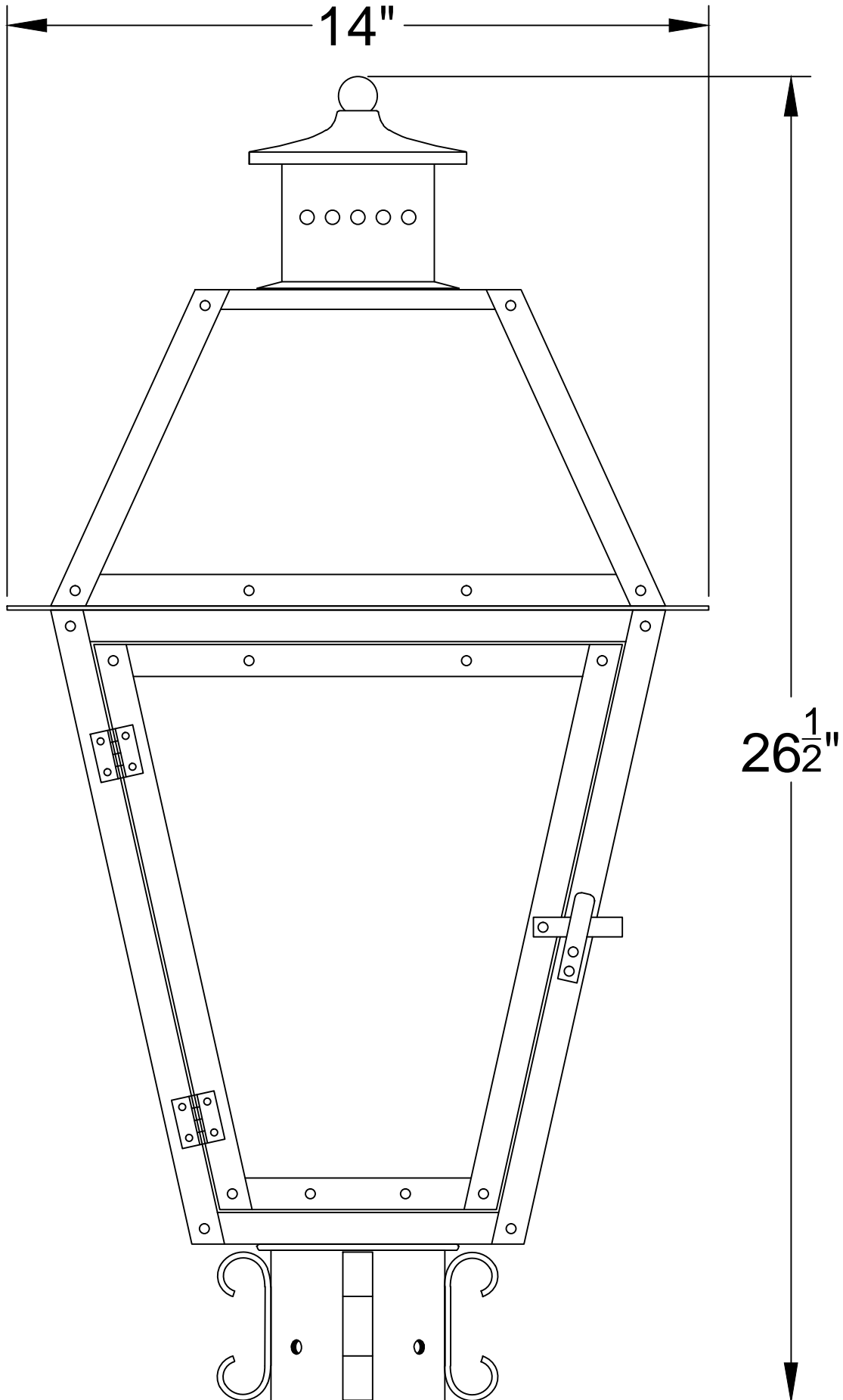
65 $\frac{1}{2}$ "



23 $\frac{1}{4}$ "

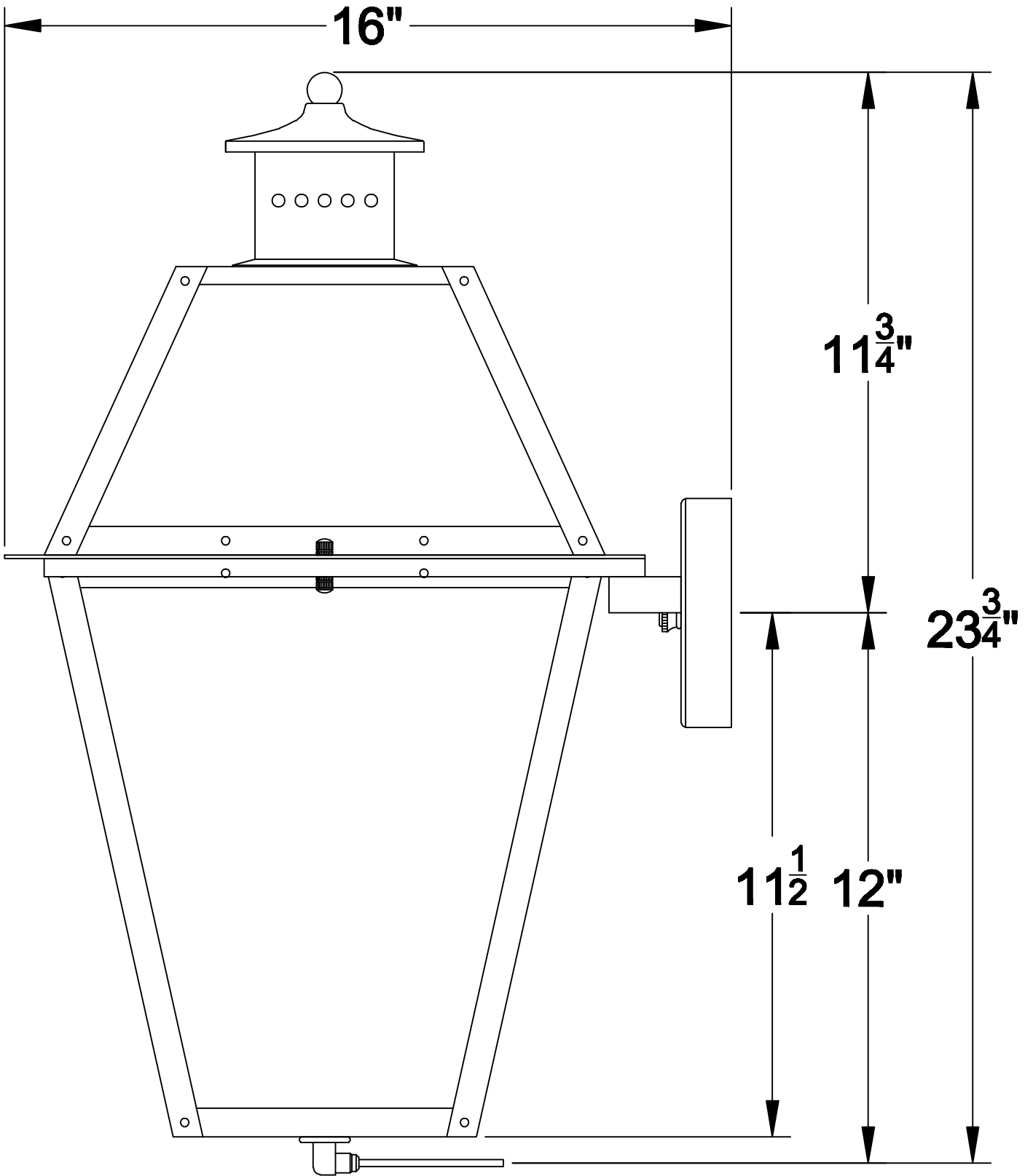
MU

OL-22



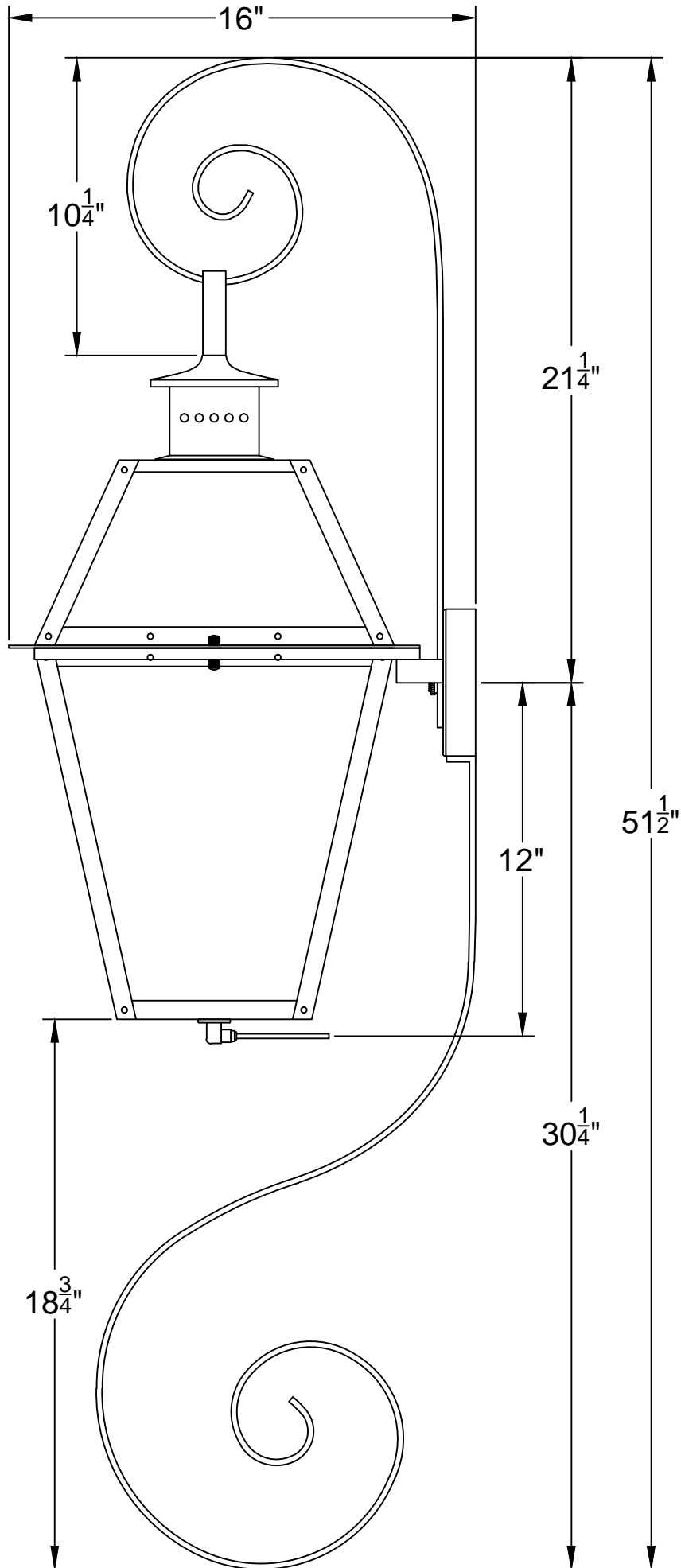
PM

OL-22



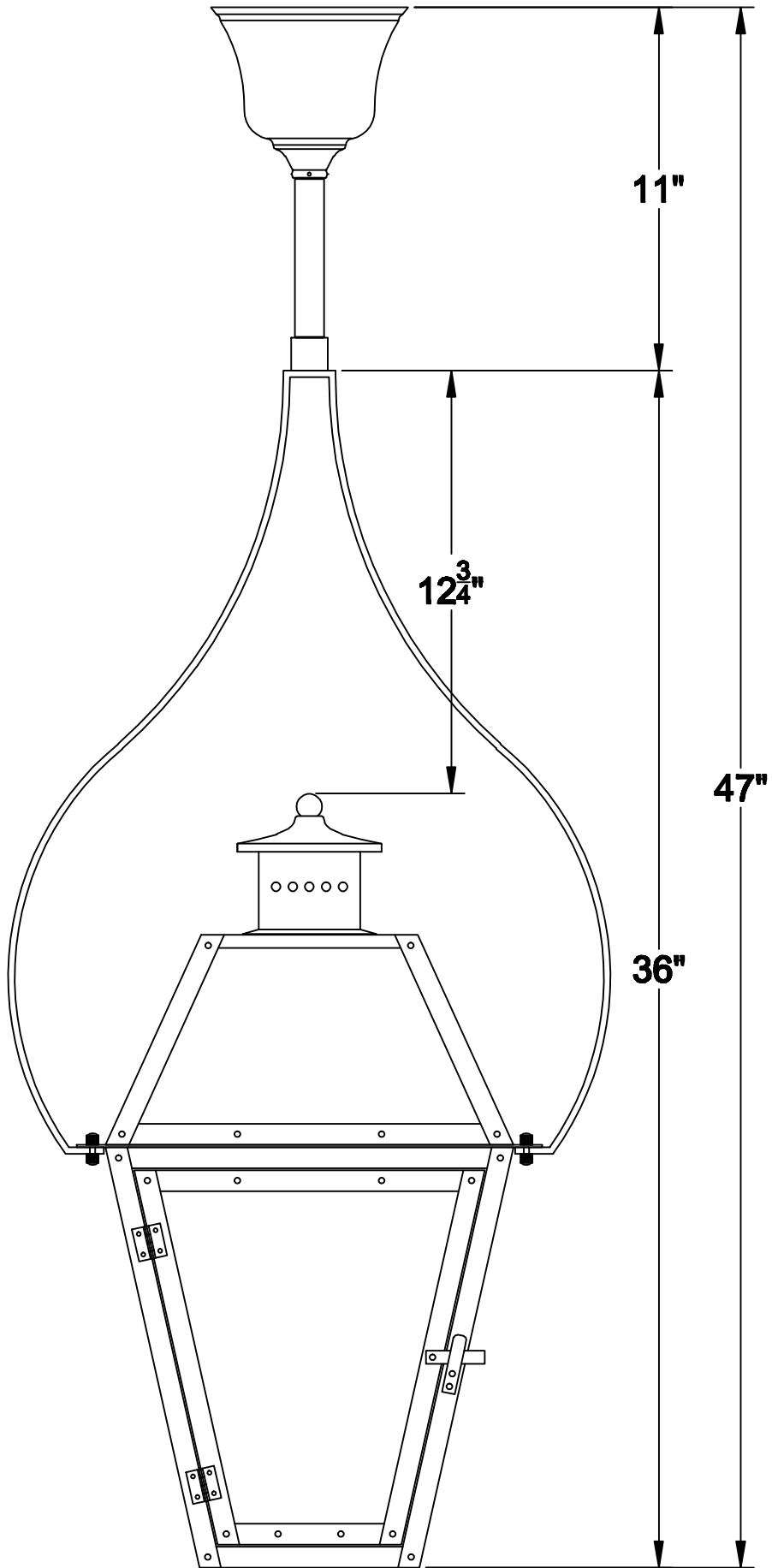
Side

OL-22



TS-2 BS-2

OL-22



TY-2