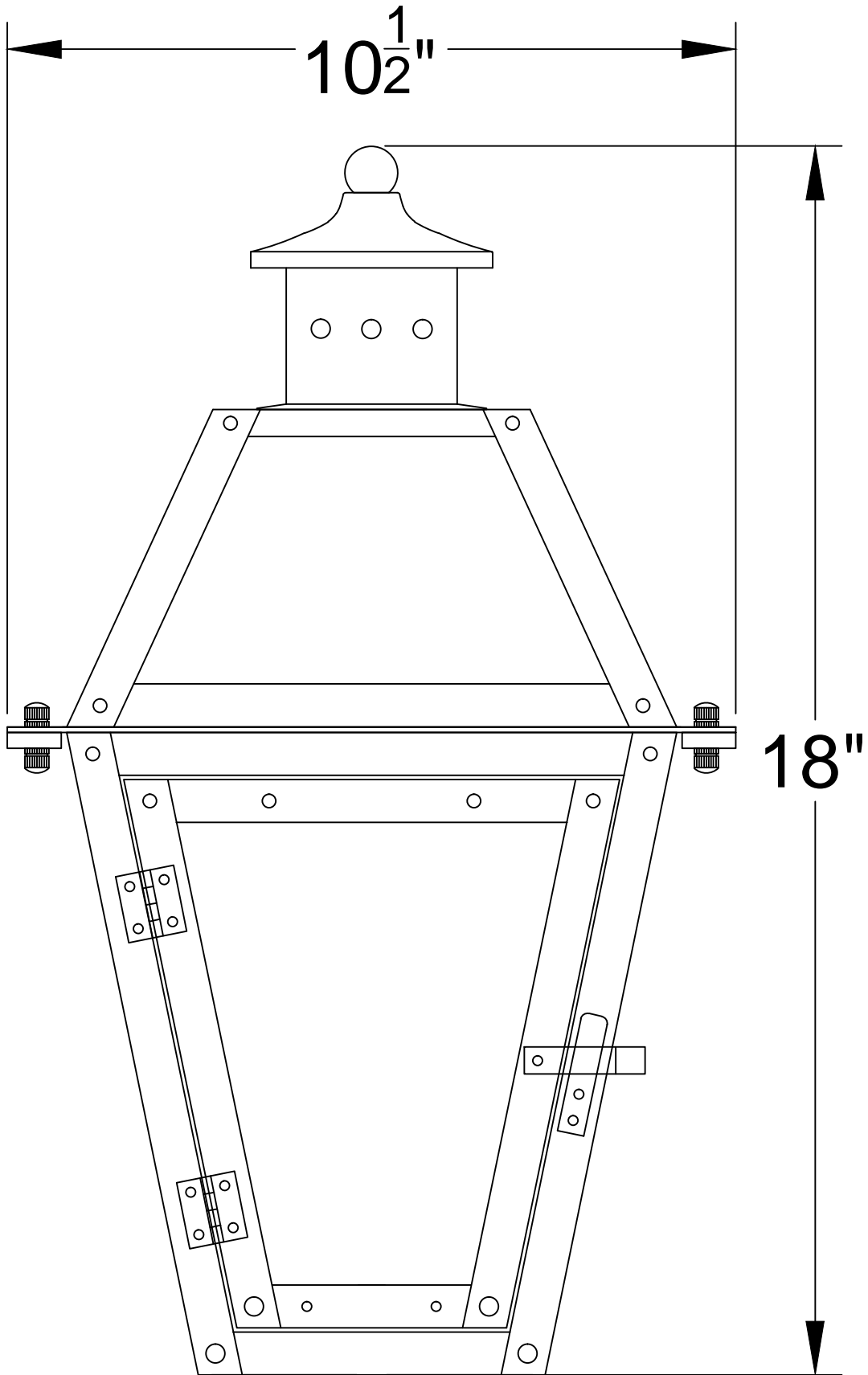


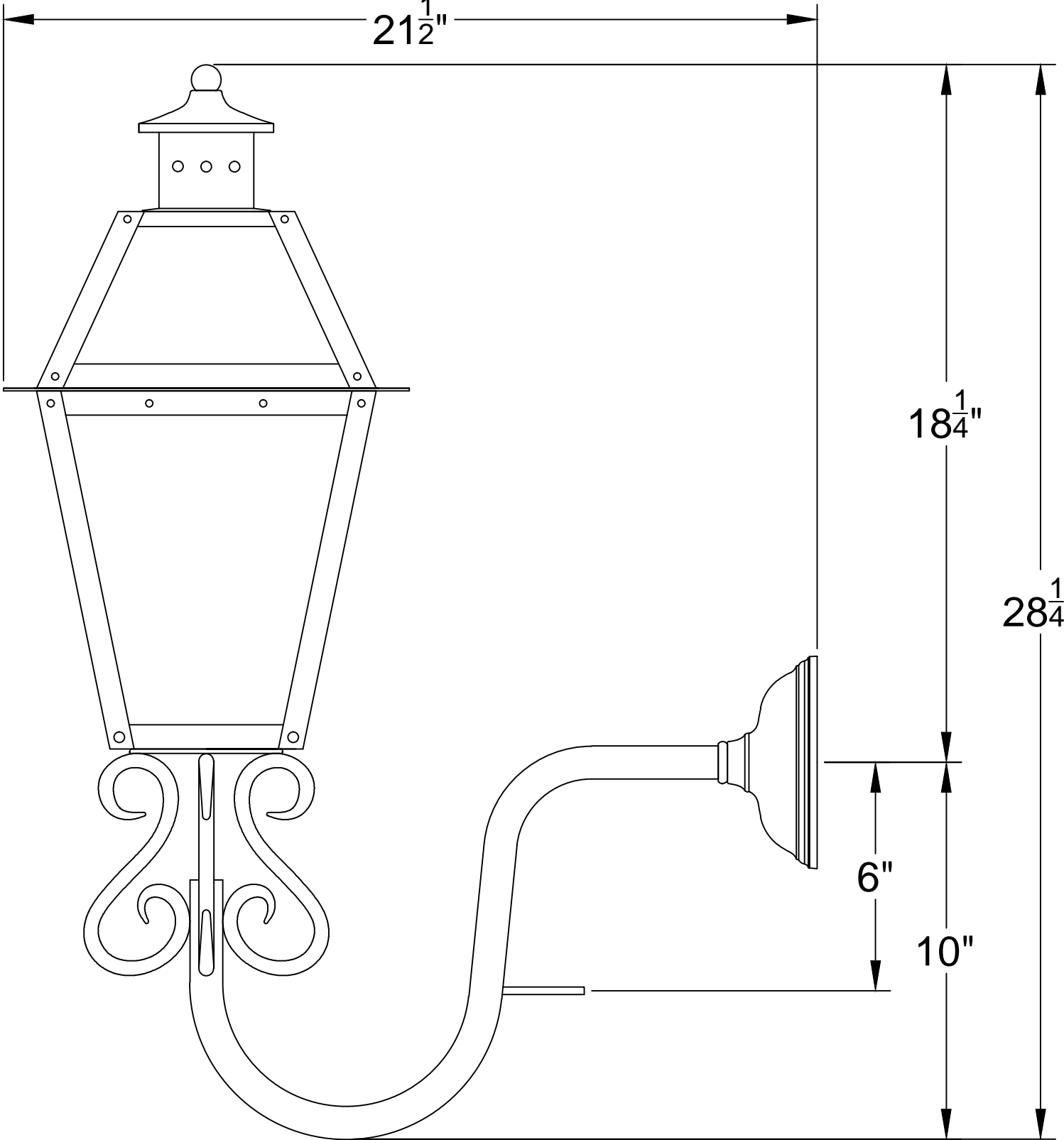
OL-18



Front

OL-18

21 $\frac{1}{2}$ "



18 $\frac{1}{4}$ "

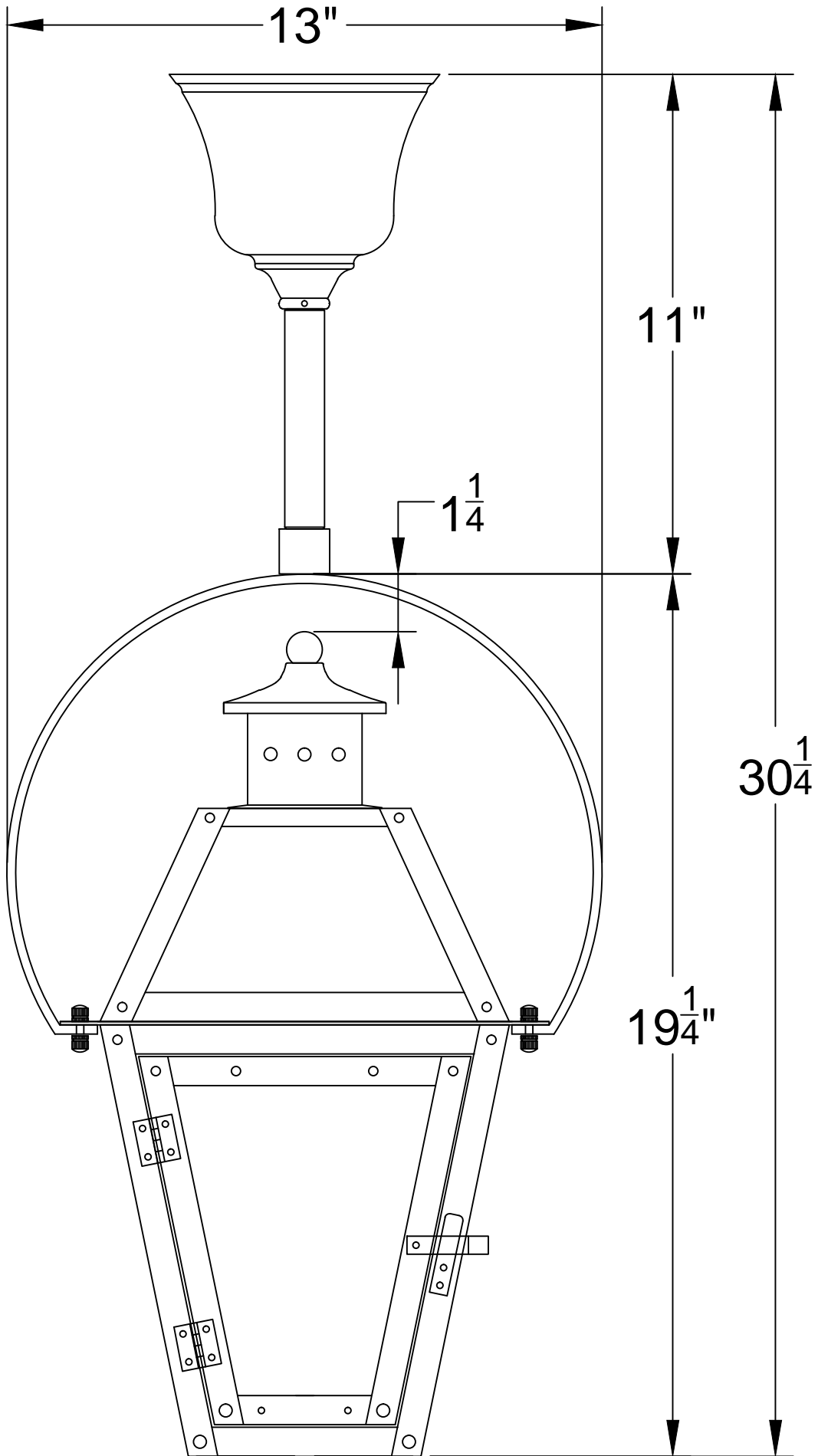
28 $\frac{1}{4}$ "

6"

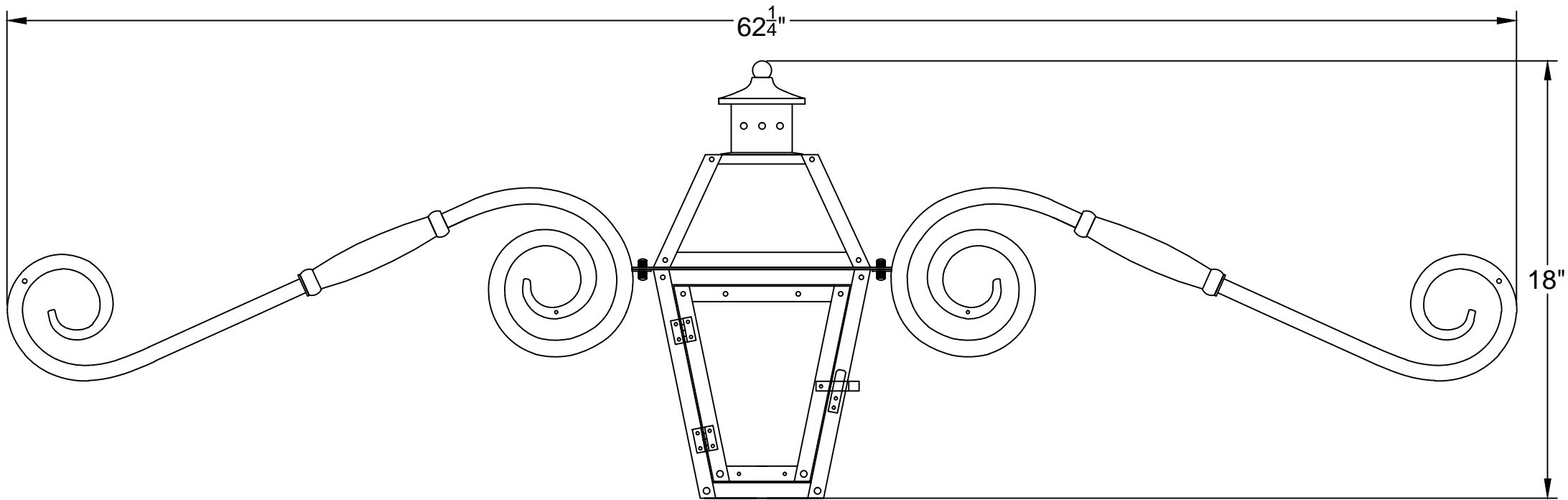
10"

GN

OL-18

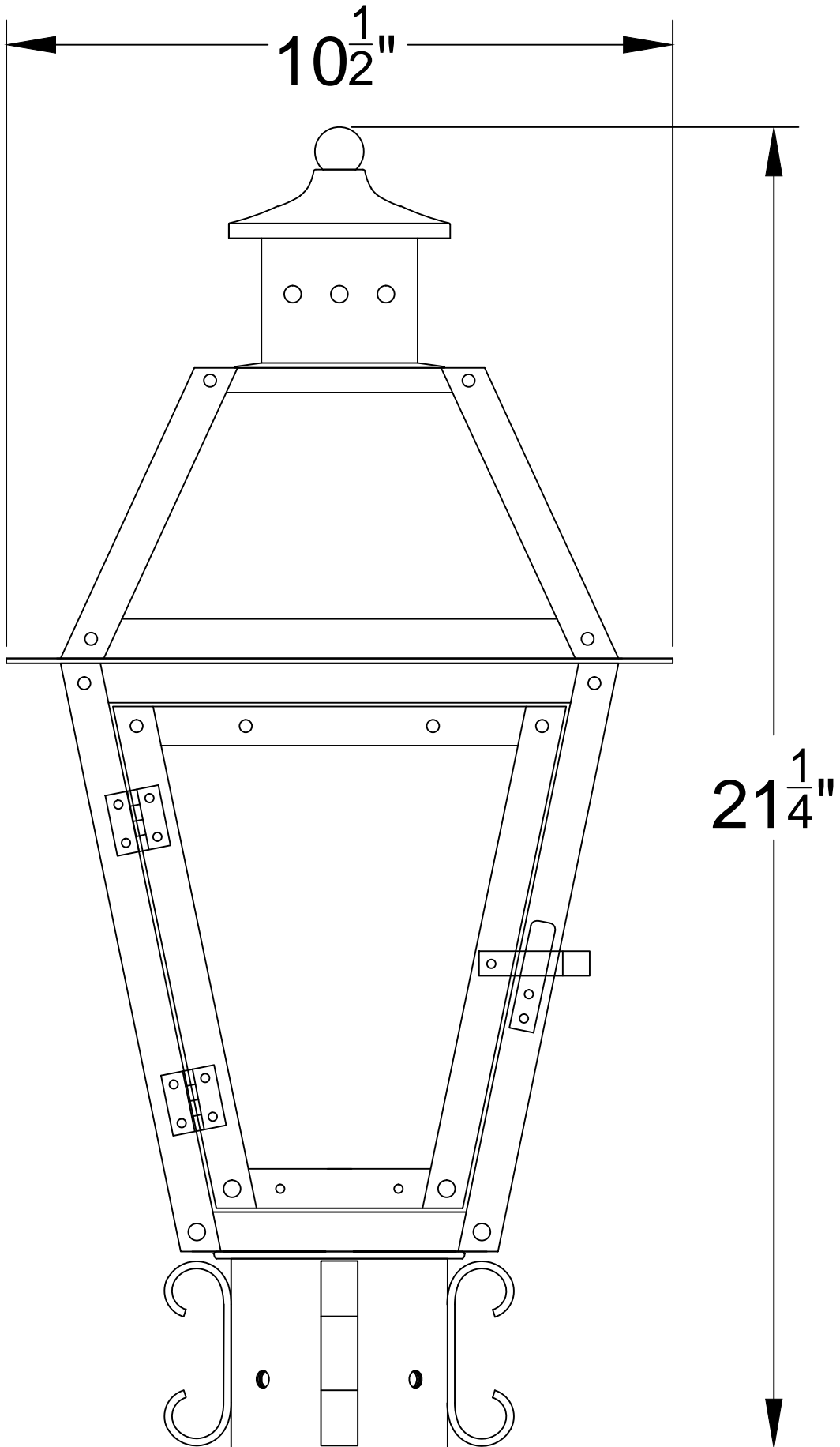


HY-1



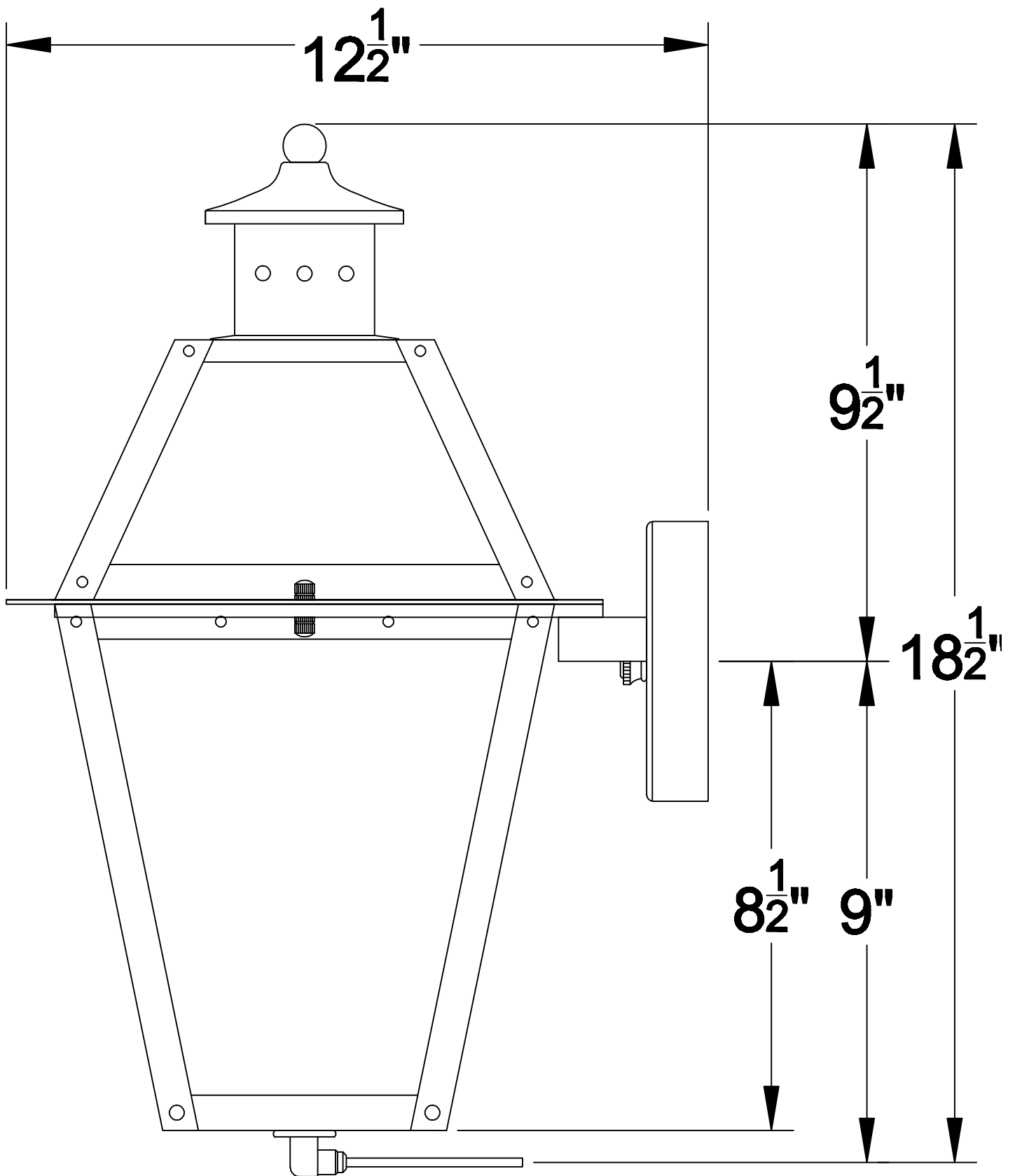
MU

OL-18



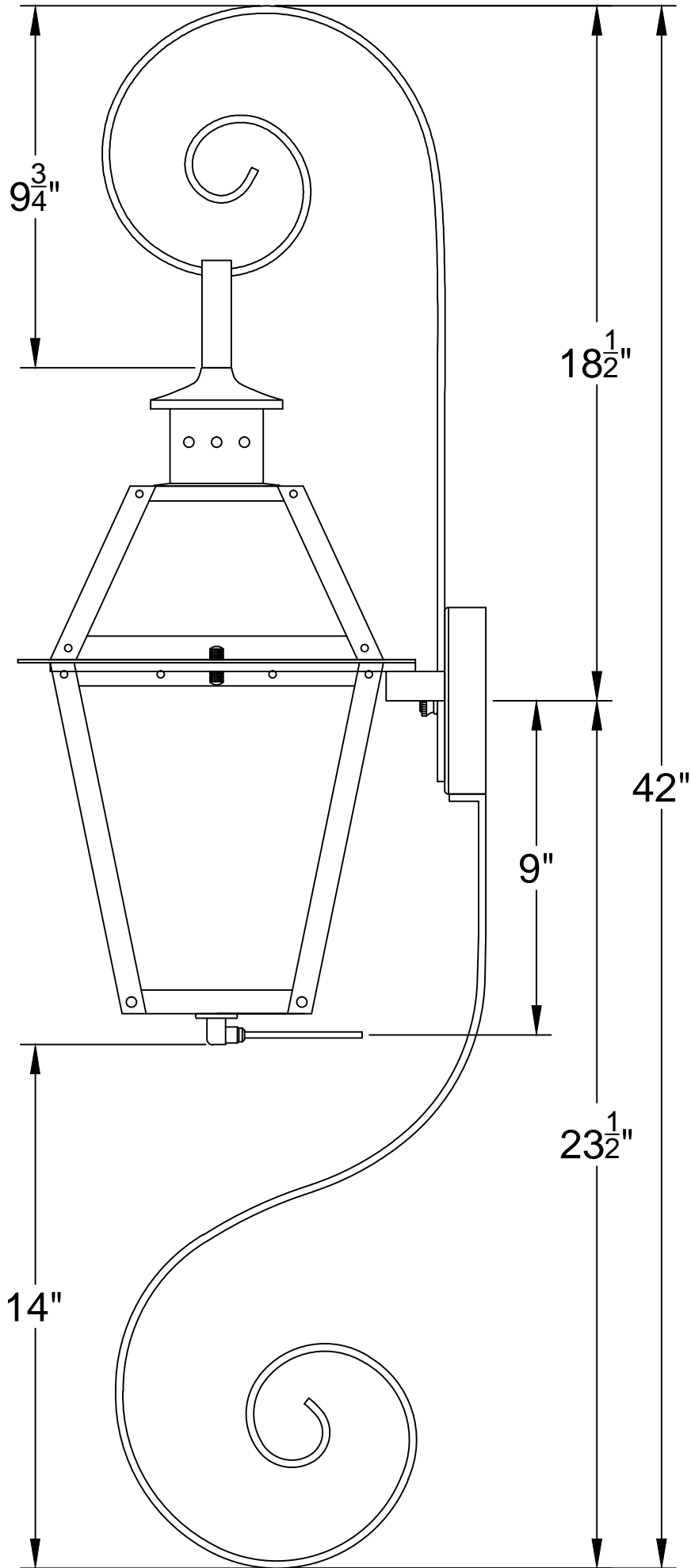
PM

OL-18



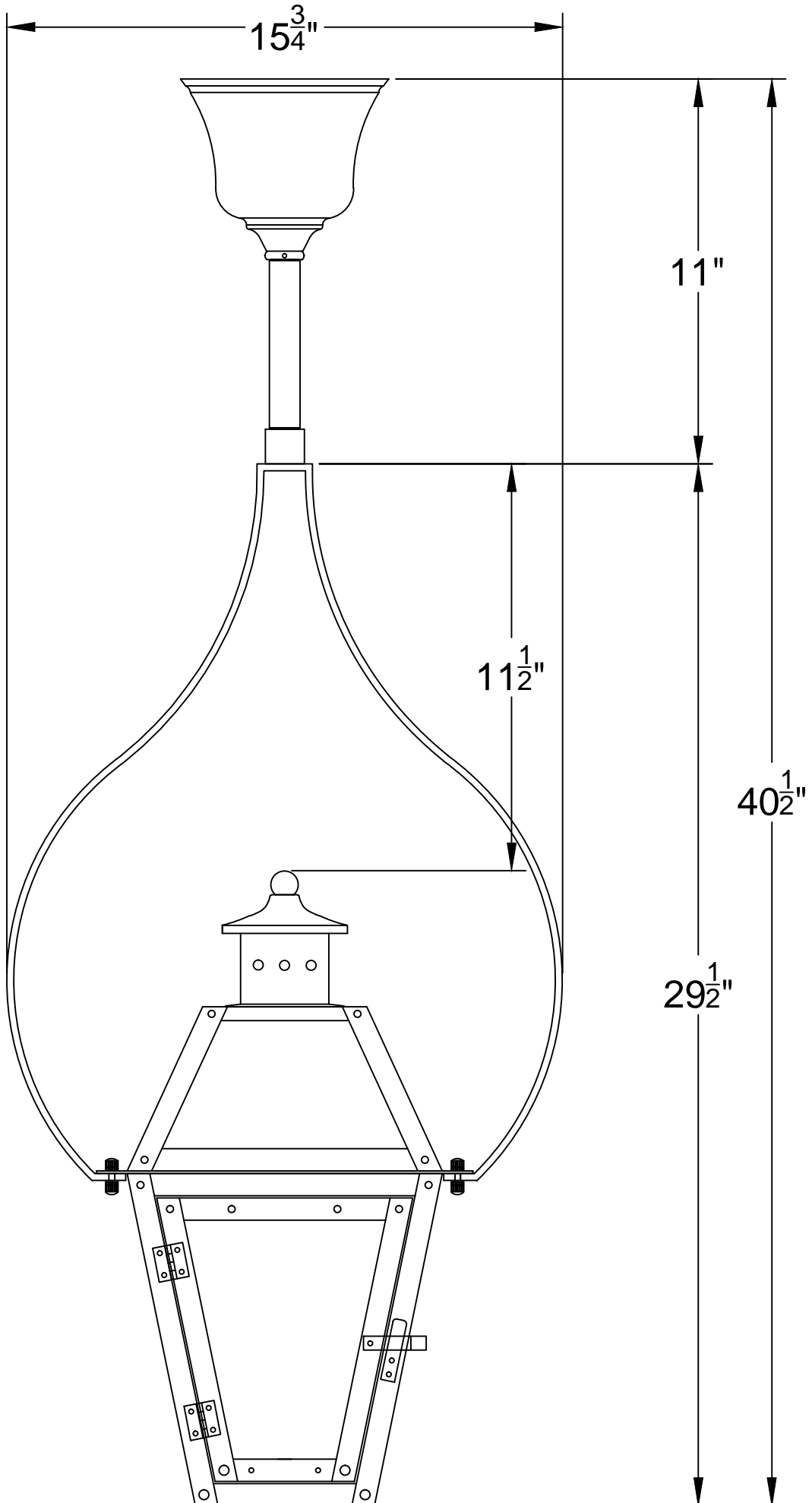
Side

OL-18



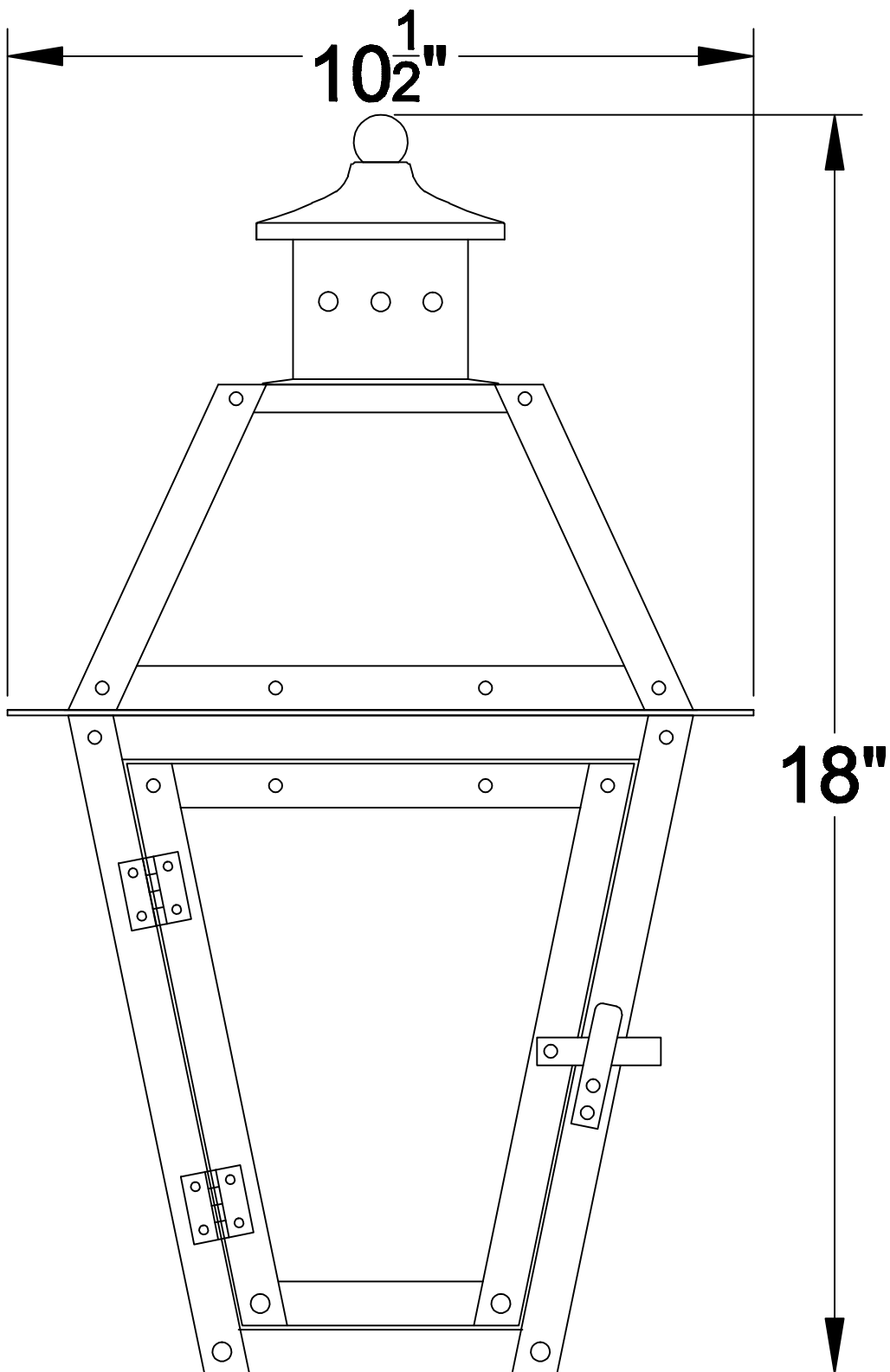
TS-1 BS-1

OL-18



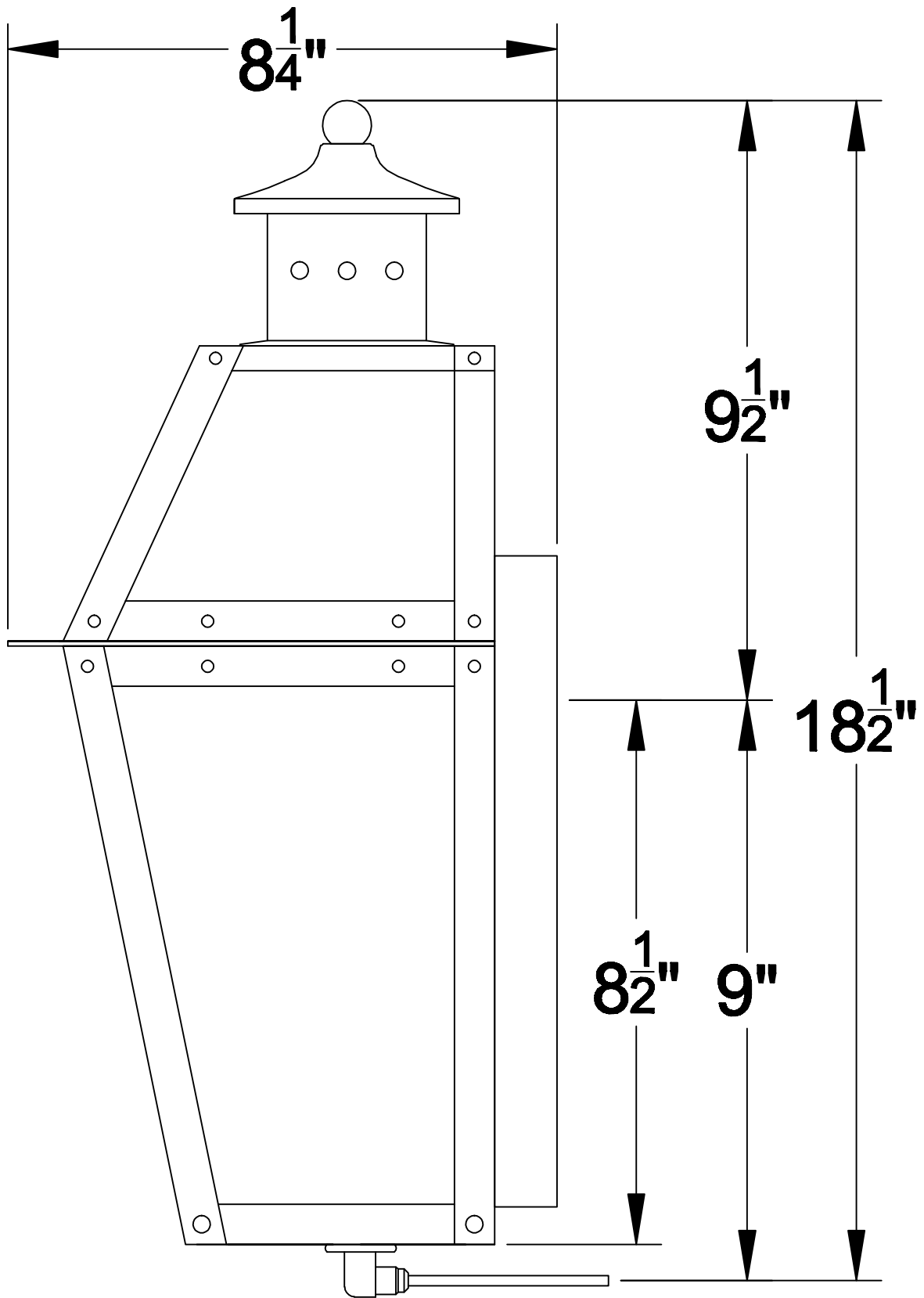
TY-1

OL-18F



Front

OL-18F



Side